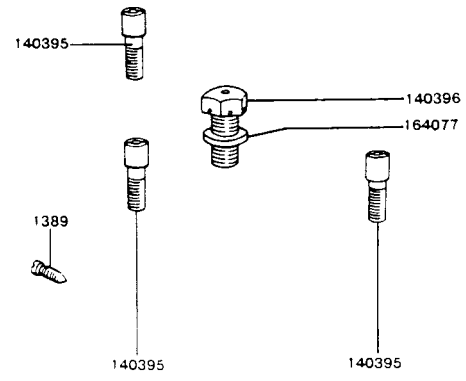
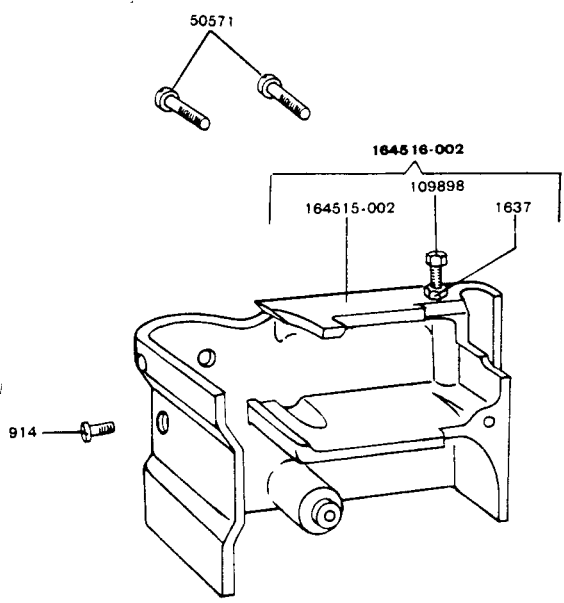
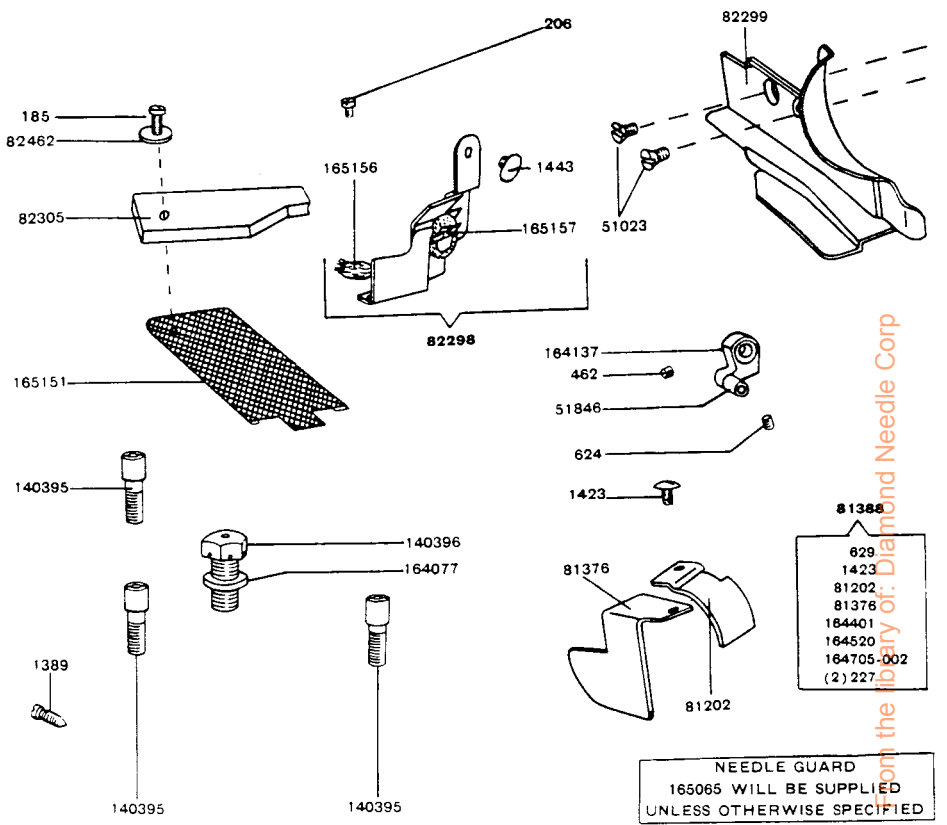
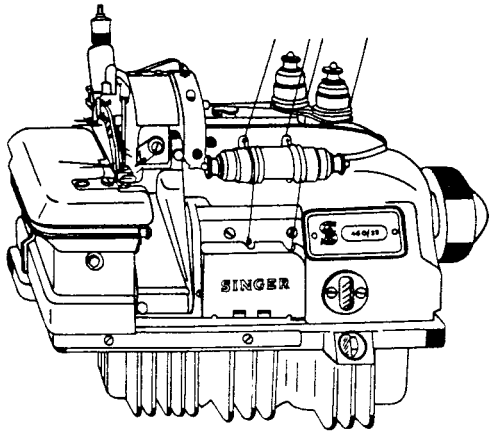


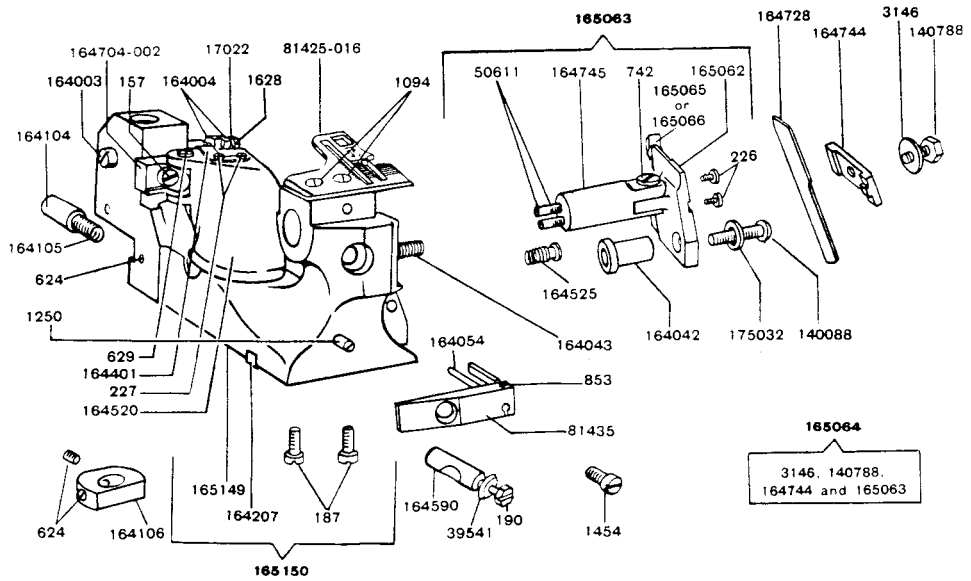
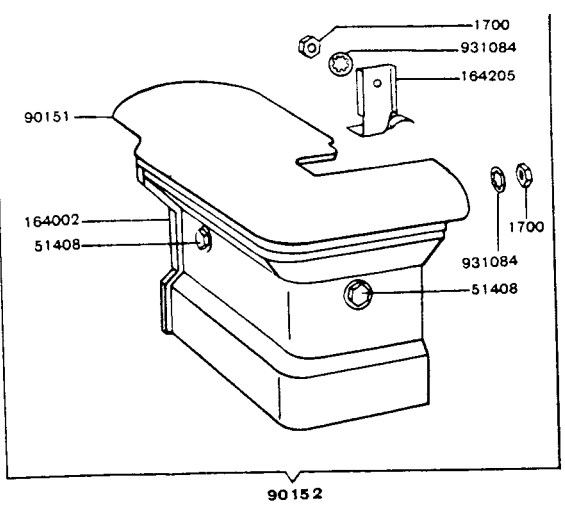
SINGER

460/22

SINGER® 460/22

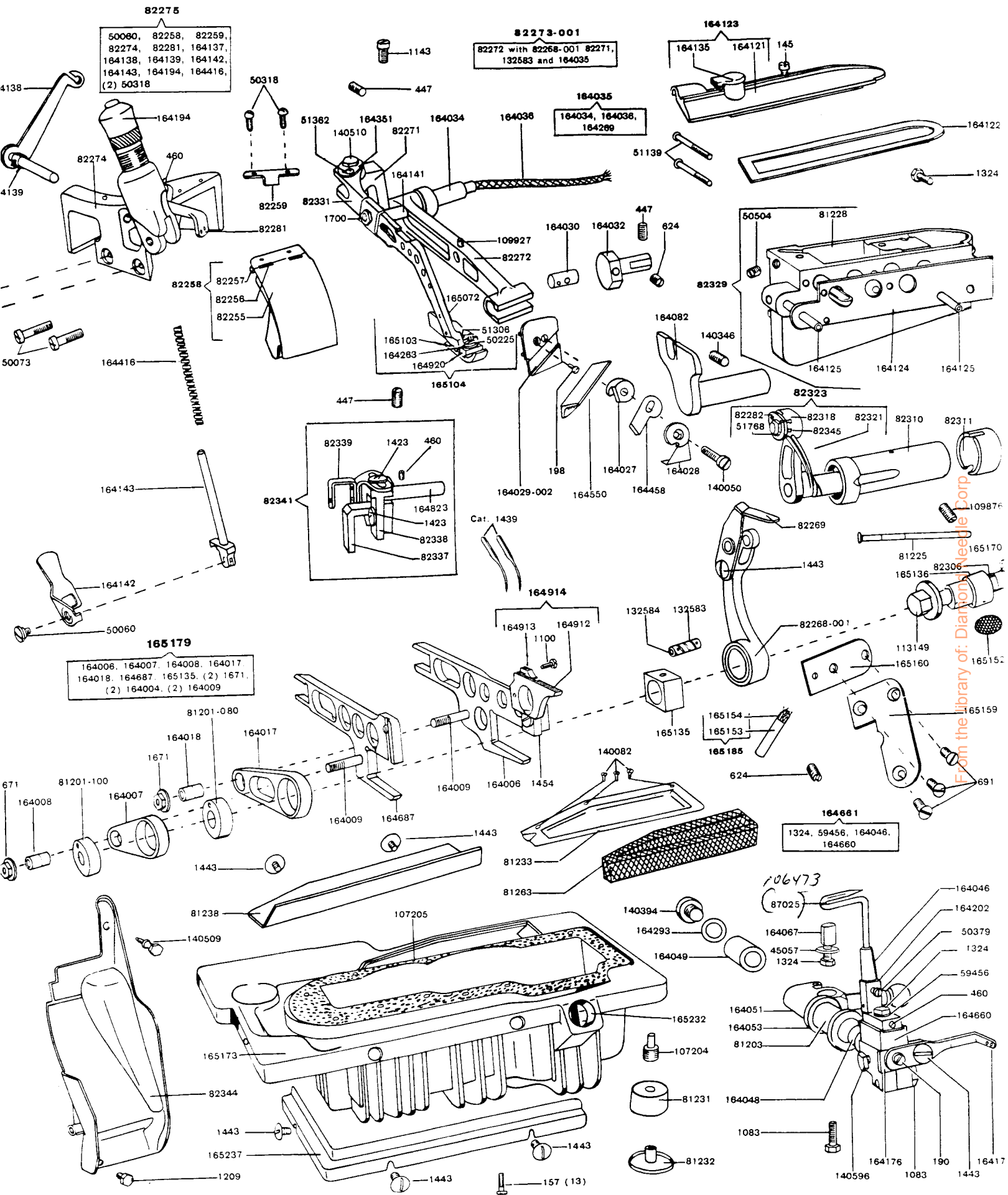


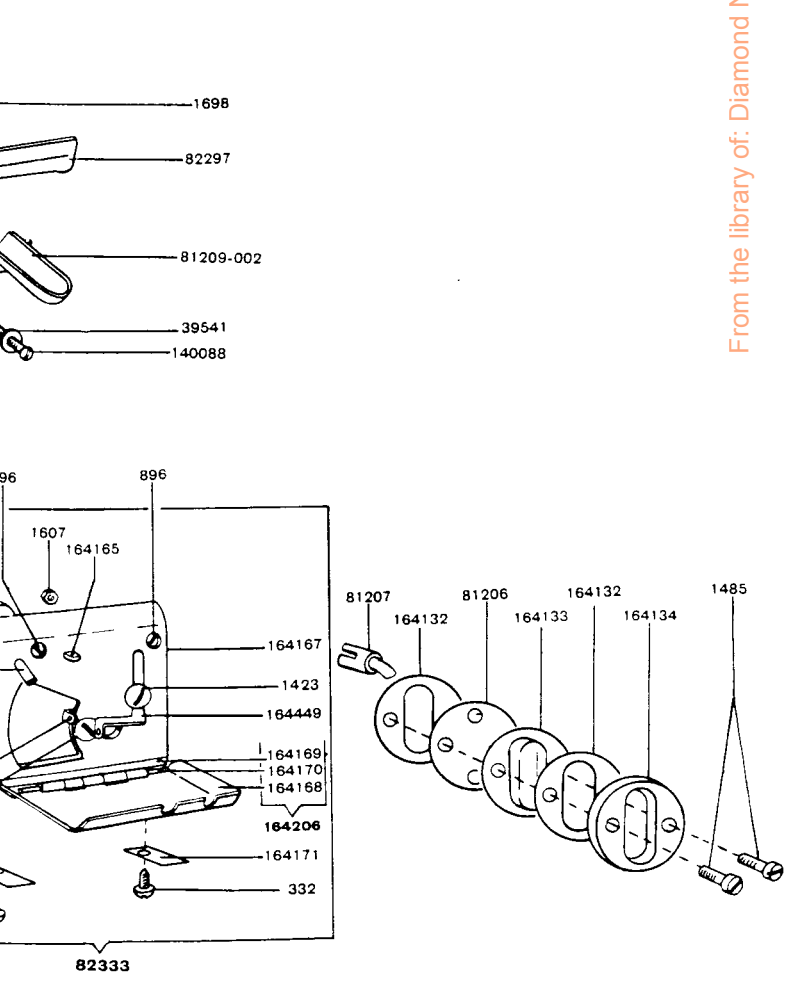
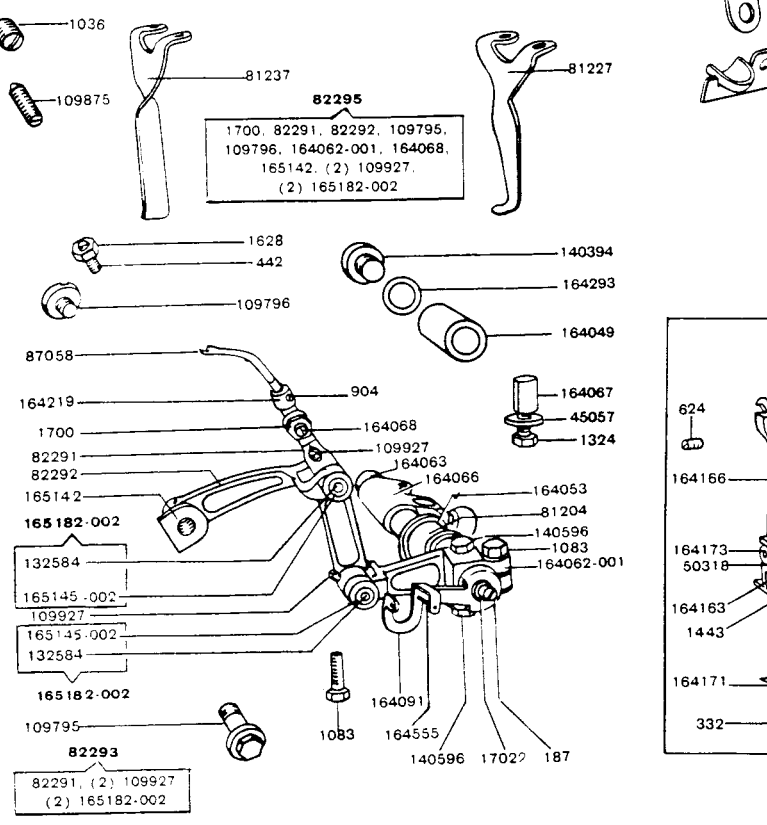
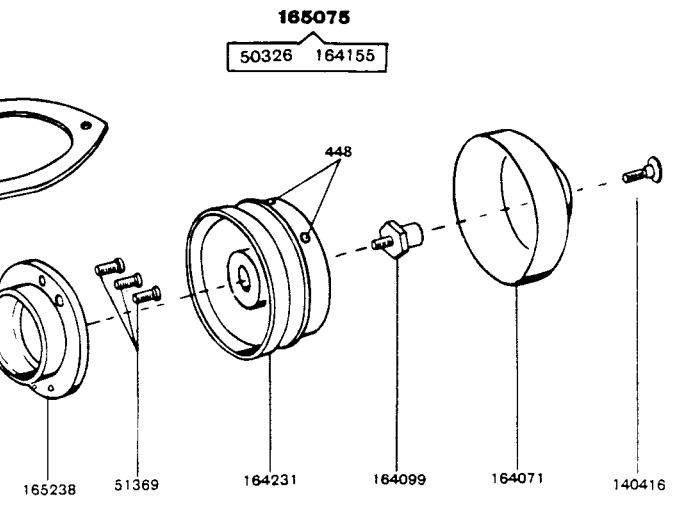
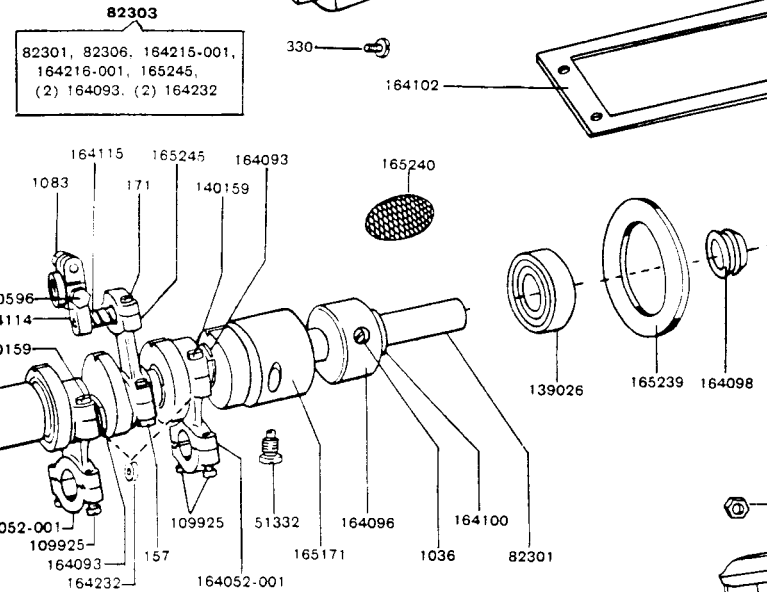
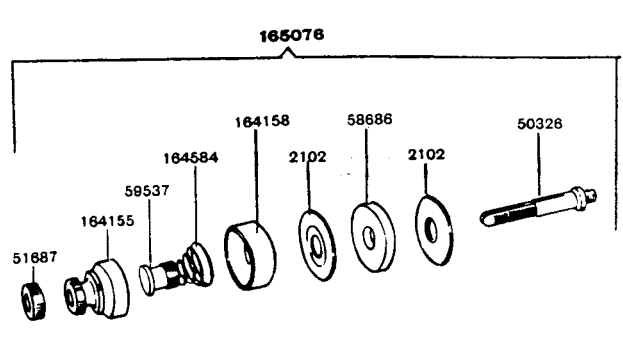
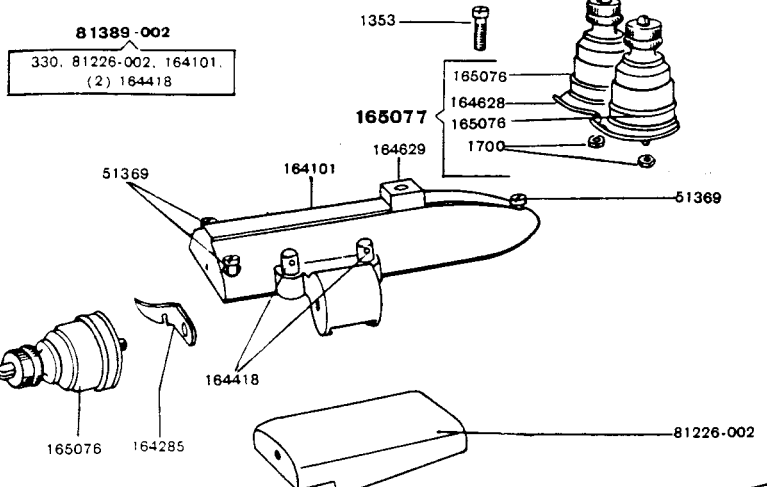
NEEDLE GUARD
165065 WILL BE SUPPLIED
UNLESS OTHERWISE SPECIFIED



164705-002
164704-002, 164023

from the library of: Diamond Needle Corp





LIST OF PARTS FOR 460/22 MACHINE

Part No.	Description	Part No.	Description
145(809)	Oil Cooler Cover Screw	1607(809)	Thread (spreader) Thread Eyelet (stationary) Nut
157(803)	Feed Eccentric Cover Bracket Screw	1628(803)	Feed Bar Slide Block (back) Nut
157(830)	Needle Driving Shaft Crank Connection Cap (lower) Screw	1628(809)	Spreader Carrier Connecting Link Adjusting Screw (front) Stop Screw Nut
157(803)	Oil Reservoir Screw	1637(819)	Presser Bar Lifting Lever Stop Screw Nut
171(830)	Needle Driving Shaft Crank Connection Cap (upper) Screw	1671(803)	Feed (back) Bar Connection Hinge Screw Stud Nut
185(809)	Machine Frame Bracket Oil Screen Screw	1671(803)	Feed (front) Bar Connection Hinge Screw Stud Nut
187(805)	Machine Frame Bracket Key Screw	1698(809)	Machine Frame Oil Lead Screw Nut
187(805)	Thread (Spreader) Take-up Screw	1700(809)	Cloth Plate Extension Screw Nut
190(805)	Knife (stationary) and Needle Guard Holder Adjusting Stud Cap Screw	1700(809)	Cloth Plate Lock Spring Nut
190(805)	Thread (looper) Take-up Screw (lower)	1700(809)	Cloth Plate Position Screw Nut
198(809)	Knife (movable) Holder Screw	1700(809)	Spreader Locking Screw Stud Nut
206(809)	Machine Frame Oil Splash Guard (internal) Screw (bottom)	1700(809)	Presser Bar (swing-out) Lifting Screw Stud Nut
226(809)	Needle Guard Screw	1700(809)	Tension Screw Stud Nut
227(809)	Feed Eccentric Cover Latch Spring Screw	2102	Tension Disc
330(809)	Machine Frame Top Cover Oil Lead Screw	3146	Knife (stationary) Clamping Gib Screw Washer
332(809)	Thread (looper and spreader) Plate Cover Spring Screw	17022	Feed Bar Slide Block (back) Nut Washer
442(830)	Spreader Carrier Connecting Link Adjusting Screw (front) Stop Screw	17022	Thread (spreader) Take-up Screw Washer
447(830)	Knife (movable) Lever Bearing Set Screw (long)	39541	Knife (stationary) and Needle Guard Holder Adjusting Stud Cap Screw Washer
447(830)	Knife (movable) Lever Guide Holder Thread Tube Set Screw (Machine Frame End)	39541	Machine Frame Oil Lead Screw Washer
447(830)	Knife (movable) Lever Hinge Stud Set Screw (back)	45057	Looper Driving Shaft Crank Key Screw Washer
448(830)	Machine Pulley Set Screw	45057	Spreader Driving Shaft Crank Key Screw Washer
460(830)	Knife (movable) Lever Guide Thread Tube Set Screw	50060(810)	Presser Bar (swing-out) Opening Lever Hinge Screw
460(830)	Looper Carrier Screw Set Screw	50073(809)	Knife (movable) Lever Cover and Presser Bar (upright) Housing Screw
460(830)	Thread Eyelet (needle thread) Set Screw	50225(809)	Presser Foot Clamping Plate Screw
462(830)	Presser Bar Lifting Bracket Set Screw (short)	50318	Knife (movable) Hinged Cover Screw
624(830)	Cloth Plate Plunger Set Screw	50318(818)	Thread (looper and spreader) Plate Thread Bushing Screw
624(830)	Cloth Plate Position Collar Set Screw	50326(803)	Tension Screw Stud
624(830)	Knife (movable) Lever Bearing Set Screw (short)	50379(806)	Looper Set Screw
624(830)	Machine Frame Oil Tube Set Screw	50504(830)	Oil Cooler Plug Screw
624(830)	Presser Bar Lifting Bracket Set Screw (long)	50571(809)	Machine Frame Cover (back) Screw (long)
624(830)	Thread (Spreader) Tube Set Screw	50611(803)	Knife (stationary) and Needle Guard Holder Position Screw
629(810)	Feed Eccentric Cover Hinge Screw	51023(818)	Machine Frame Oil Splash Guard (top) Screw
691(803)	Machine Frame Wearing Plate Screw	51139(809)	Oil Cooler Screw (long)
742(806)	Knife (stationary) and Needle Guard Holder Screw	51306(805)	Presser Foot Chaining-off Plate Screw
853(830)	Looper Thread Tube Set Screw	51332(803)	Machine Frame Rotary Shaft Bushing (intermediate) Set Screw
896(803)	Thread (looper and spreader) Plate Screw	51362(830)	Presser Bar (swing-out) Pivot Screw Locking Plate Screw
904(830)	Spreader Position Collar Set Screw	51369(803)	Machine Frame Rotary Shaft Ball Bearing Housing Screw
914(809)	Machine Frame Cover (back) Screw (short)	51369(809)	Machine Frame Top Cover Screw
1036(830)	Machine Frame Rotary Shaft Bushing (front) Set Screw	51408(830)	Cloth Plate Extension Screw
1036(830)	Machine Frame Rotary Shaft Counterbalance Set Screw	51408(830)	Cloth Plate Position Screw
1083(803)	Looper Driving Shaft Crank Clamping Screw	51687(809)	Tension Regulating Thumb Nut Locking Nut
1083(803)	Looper Carrier Holder Clamping Screw	51768(803)	Needle Clamping Nut
1083(803)	Spreader Driving Lever Clamping Screw	51846	Presser Bar Lifting Bracket Roller and Stud
1083(803)	Spreader Driving Shaft Crank Clamping Screw	58686	Tension Thread Lubricating Washer (felt)
1083(803)	Needle Driving Shaft Crank Clamping Screw	59456	Looper Carrier Screw Washer
1094(806)	Throat Plate Screw	59537	Tension Disc Bushing
1100(830)	Feed Dog Section (right) Screw	81201-080	Feed Eccentric (80 stitches to the inch)
1143(830)	Knife (movable) Lever Hinge Stud Set Screw (top)	81201-100	Feed Eccentric (100 stitches to the inch)
1209(809)	Chip Guard Screw (lower)	NOTE: This machine is regularly fitted with No. 81201-080. A Feed Eccentric No. 81201-100 is used as a spacer, but can be utilized when required. Feed Eccentrics No. 81201-050 (50 stitches to the inch) No. 81201-060 (60 stitches to the inch) and No. 81201-070 (70 stitches to the inch) are also included with this machine at no extra charge.	
1250(830)	Cloth Plate Lock Spring Screw Stud	81202	Feed Eccentric Cover Bracket Oil Cover
1324(830)	Looper Carrier Screw	81203	Looper Driving Shaft Bushing (front)
1324(830)	Looper Driving Shaft Crank Key Screw	81204	Spreader Driving Shaft Bushing (front)
1324(803)	Spreader Driving Shaft Crank Key Screw	81206	Machine Frame Oil Drip Sight Gauge (background) Disc
1324(809)	Oil Cooler Screw (short)	81207	Machine Frame Oil Drip Sight Gauge Tube Support
1353(830)	Tension (needle thread) Thread Guide (double) Spacing Block Screw	81209-002	Machine Frame Oil Lead Tube Support
1389(803)	Feed Bar Hinge Pin Set Screw	81225	Machine Frame Rotary Shaft Oil Metering Pin (internal)
1423(819)	Feed Eccentric Cover Bracket Oil Cover Screw	81226-002	Machine Frame Top Cover Oil Lead
1423	Knife (movable) Lever Guide and Needle Thread Bridge Bracket Screw	81227	Oil Agitator (right hand)
1423	Knife (movable) Lever Guide and Needle Thread Bridge Eyelet Screw	81228	Oil Cooler
1423(809)	Thread (spreader) Thread Eyelet Screw	81231	Machine Cushion (large)
1443(819)	Oil Reservoir Lint Guard (back) Clamping Screw	81232	Machine Mounting Post
1443(819)	Oil Reservoir Lint Guard (front) Clamping Screw	81233	Oil Reservoir Oil Sump Screen Cover
1443(809)	Machine Frame Oil Splash Guard (internal) Screw (top)	81237	Oil Agitator (left hand)
1443(809)	Thread (spreader) Take-up Eyelet (adjustable) Screw	81238	Oil Reservoir Lint Guard (back)
1443(809)	Thread (looper) Take-up Screw (upper)	81263	Oil Reservoir Oil Sump Screen
1443(809)	Thread (needle) Controller Screw	81376	Feed Eccentric Cover Bracket Splash Guard
1454(806)	Feed Dog Screw	81388	Feed Eccentric Cover, Nos. 629(810), 1423(819), 81202, 81376, 164401, 164520, 164705-002 and two 227(809)
1454(805)	Throat Plate Guide Screw	81389-002	Machine Frame Top Cover 164101 with 330(809), 81226-002 and two 164418
1485(809)	Machine Frame Oil Drip Sight Gauge Window Retainer Screw	81425-016	Throat Plate

Part No.	Description	Part No.	Description
81435	Throat Plate Guide with 853(830)	132584	Knife (movable) Lever Hinge Pin Oil Wick
82255	Knife (movable) Hinged Cover	132584	Spreader Carrier Connecting Link Hinge Pin Oil Wick
82256	Knife (movable) Hinged Cover Hinge	132584	Spreader Carrier Hinge Pin Oil Wick
82257	Knife (movable) Hinged Cover Pin	139026	Machine Frame Rotary Shaft Ball Bearing
82258	Knife (movable) Hinged Cover 82255 with 82256 and 82257	140050(803)	Knife (movable) Clamp Screw
82259	Knife (movable) Hinged Cover Spring	140082(805)	Oil Reservoir Oil Sump Screen Cover Screw
82268-001	Thread (needle) Controller Lever	140088(805)	Knife (stationary) and Needle Guard Holder Sleeve Screw
82269	Thread (needle) Controller	140088(813)	Machine Frame Oil Lead Screw
82271	Presser Bar Bracket	140159(830)	Looper Driving Shaft Crank Connection Cap (upper) Screw
82272	Knife (movable) Lever with 109927(869)	140159(830)	Spreader Driving Shaft Crank Connection Cap (upper) Screw
82273-001	Knife (movable) Lever 82272 with 82268-001, 82271, 132583 and 164035	140346(830)	Machine Frame Oil Plug Bracket Set Screw
82274	Knife (movable) Lever Cover and Presser Bar (upright) Housing with 460(830)	140393(830)	Looper Carrier Holder Set Screw (right) (not illustrated)
82275	Knife (movable) Lever Cover and Presser Bar (upright) Housing complete, Nos. 50060(810), 82258, 82259, 82274, 82281, 164137, 164138, 164139, 164142, 164143, 164194, 164416 and two 50318	140394(805)	Looper Carrier Shaft Bushing (back) Cap Screw
82281	Thread Eyelet (needle thread)	140394(805)	Spreader Driving Shaft Bushing (back) Cap Screw
82282	Needle Holder Washer and Thread (needle) Controller	140395(805)	Machine Frame Bracket Screw (small)
82291	Spreader Carrier	140396(805)	Machine Frame Bracket Screw (large)
82292	Spreader Carrier Connecting Link	140416(819)	Machine Pulley Cap Screw
82293	Spreader Carrier 82291 with two each 109927(869) and 165182-002	140509(809)	Chip Guard Screw (upper)
82295	Spreader Driving Lever complete, Nos. 1700(809), 82291, 82292, 109795(803), 109796(803), 164062-001, 164068, 165142, two each 109927(869) and 165182-002	140510(803)	Presser Bar (swing-out) Pivot Screw
82297	Machine Frame Oil Lead	140596(830)	Looper Carrier Holder Set Screw (left)
82298	Machine Frame Oil Splash Guard (internal) complete, Nos. 165156 and 165157	140596(830)	Spreader Driving Lever Clamping Lever Set Screw
82299	Machine Frame Oil Splash Guard (top)	140788(803)	Needle Driving Shaft Crank Set Screw
82301	Machine Frame Rotary Shaft	164002	Knife (stationary) Clamping Gib Screw
82303	Machine Frame Rotary Shaft 82301 with 82306, 164215-001, 164216-001, 165245, two each 164093 and 164232	164003	Cloth Plate Extension
82305	Machine Frame Bracket and Cover (back) Gasket	164004	Feed Bar Hinge Pin (eccentric)
82306	Machine Frame Rotary Shaft Key	164006	Feed Bar Slide Block (back)
82310	Needle Driving Shaft Bushing	164007	Feed (front) Bar with 164010
82311	Needle Driving Shaft Bushing Cap	164007	Feed (back) Bar Connection
82318	Needle Holder	164008	Feed (back) Bar Connection Bearing
82321	Needle Driving Shaft with 82322	164009	Feed (back) Bar Connection Hinge Screw Stud
82322	Needle Stop Pin (not illustrated)	164009	Feed (front) Bar Connection Hinge Screw Stud
82323	Needle Driving Shaft 82321 with 51768(803), 82282, 82318 and 82345	164010	Feed (back) Bar Connection Hinge Screw Stud Position Pin (not illustrated)
82329	Oil Cooler, Nos. 81228, 50504(830) and two 164125	164010	Feed (front) Bar Connection Hinge Screw Stud Position Pin (not illustrated)
82331	Presser Bar (swing-out)	164017	Feed (front) Bar Connection
82333	Thread (looper and spreader) Plate, complete, Nos. 1423(809), 1443(809), 1607(809), 50318(818), 164163, 164165, 164166, 164167, 164173, 164206, 164449, and two each 332(809) and 164171	164018	Feed (front) Bar Connection Bearing
82337	Knife (movable) Lever Guide	164023	Feed Eccentric Oil Wick (not illustrated)
82338	Knife (movable) Lever Guide and Needle Thread Bridge Bracket	164027	Knife (movable) Clamp
82339	Knife (movable) Lever Guide and Needle Thread Bridge Eyelet	164028	Knife (movable) Guard (lower)
82341	Knife (movable) Lever Guide 82337 with 460, 82338, 82339, 164823 and two 1423	164029-002	Knife (movable) Holder
82344	Chip Guard	164030	Knife (movable) Holder Screw Bearing
82345	Needle Holder Washer and Thread (needle) Controller Spacer	164032	Knife (movable) Lever Bearing
82462	Machine Frame Bracket Oil Screen Screw Washer	164034	Knife (movable) Lever Hinge Stud
87025	Looper	164035	Knife (movable) Lever Hinge Stud 164034 with 164036 and 164269
87058	Spreader	164036	Knife (movable) Lever Hinge Stud Oil Wick (long)
90151	Cloth Plate	164042	Knife (stationary) and Needle Guard Holder Sleeve
90152	Cloth Plate with Extension complete, Nos. 90151, 164002, 164205, two 931084 and three each 1700(809) and 51408(830)	164043	Knife (stationary) and Needle Guard Holder Spring
107204	Oil Reservoir Drain Plug (Magnetic)	164046	Looper Carrier with 460(830), 50379(806) and 164202
107205	Oil Reservoir Gasket	164048	Looper Carrier Shaft
109795(803)	Spreader Carrier Connecting Link Adjusting Screw (front)	164049	Looper Carrier Shaft Bushing (back)
109796(803)	Spreader Carrier Connecting Link Adjusting Sleeve Cap Screw (back)	164049	Spreader Driving Shaft Bushing (back)
109875(803)	Machine Frame Rotary Shaft Bushing (front) By Pass Oil Control Screw	164051	Looper Driving Shaft Crank with 1083(803)
109876	Needle Driving Shaft Bushing Locating Screw	164052-001	Looper Driving Shaft Crank Connection with two each 109925(830) and 140159(830)
109898(803)	Presser Bar Lifting Lever Stop Screw	164052-001	Spreader Driving Shaft Crank Connection with two each 109925(830) and 140159(830)
109925(830)	Looper Driving Shaft Crank Connection Cap (lower) Screw	164053	Looper Driving Shaft Crank Thrust Bearing
109925(830)	Spreader Driving Shaft Crank Connection Cap (lower) Screw	164053	Spreader Driving Shaft Crank Thrust Bearing
109927(869)	Knife (movable) Lever Hinge Pin Set Screw	164054	Looper Thread Tube
109927(869)	Spreader Carrier Connecting Link Hinge Pin Set Screw	164062-001	Spreader Lever with 1083(803) and two 140596(830)
109927(869)	Spreader Carrier Hinge Pin Set Screw	164063	Spreader Driving Shaft
113149	Machine Frame Rotary Shaft Nut	164066	Spreader Driving Shaft Crank with 1083(830)
132583	Knife (movable) Lever Hinge Pin with 132584	164067	Looper Driving Shaft Crank Key
		164067	Spreader Driving Shaft Crank Key
		164068	Spreader Locking Screw Stud
		164071	Machine Pulley Cap
		164077	Machine Frame Bracket Screw (large) Washer (fibre)
		164082	Machine Frame Oil Plug Bracket
		164091	Thread (spreader) Take-up with 164555
		164093	Machine Frame Rotary Shaft Ball Sleeve (two pieces)
		164096	Machine Frame Rotary Shaft Counterbalance with 1036(830)
		164098	Machine Frame Rotary Shaft Oil Return and Ball Bearing Grease Retainer
		164099	Machine Frame Rotary Shaft Screw Stud
		164100	Machine Frame Rotary Shaft Thrust Bearing
		164101	Machine Frame Top Cover
		164102	Machine Frame Top Cover Gasket
		164104	Cloth Plate Plunger

Part No.	Description	Part No.	Description
164105	Cloth Plate Plunger Spring	164705-002	Feed Eccentric Cover Bracket 164704-002 with 164023
164106	Cloth Plate Position Collar with two 624(830)	164728	Knife (stationary)
164114	Needle Driving Shaft Crank with 1083(803) and two 140596(830)	164744	Knife (stationary) Clamping Gib
164115	Needle Driving Shaft Crank Ball	164745	Knife (stationary) and Needle Guard Holder Body with two 50611(803)
164121	Oil Cooler Cover	164823	Knife (movable) Lever Guide Holder Thread Tube
164122	Oil Cooler Cover Gasket	164912	Feed Dog Section (left) 40 teeth (36 teeth to the inch)
164123	Oil Cooler Cover 164121 with 164135	164913	Feed Dog Section (right) 7 teeth (36 teeth to the inch)
164124	Oil Cooler Gasket	164914	Feed Dog complete, Nos. 1100(830), 164912 and 164913
164125	Oil Cooler Oil Pipe (Outlet) (left and right)	164920	Presser Foot Body
164132	Machine Frame Oil Drip Sight Gauge Window Gasket	165062	Knife (stationary) and Needle Guard Holder
164133	Machine Frame Oil Drip Sight Gauge Window	165063	Knife (stationary) and Needle Guard Holder (adjustable) complete, Nos. 742(806), 164745 and 165062
164134	Machine Frame Oil Drip Sight Gauge Window Retainer	165064	Knife (stationary) and Needle Guard Holder (adjustable) with Gib, complete, Nos. 3146, 140788(803), 164744 and 165063
164135	Oil Cup(for filling machine)	165065	Needle Guard (1/16" to 1/8")
164137	Presser Bar Lifting Bracket with 462(830), 624(830), and 51846	165066	Needle Guard (5/32" to 1/4")
164138	Presser Bar Lifting Lever	165072	Presser Foot Chaining-off Plate (auxiliary)
164139	Presser Bar Lifting Lever Spring	165075	Tension Screw Stud 50326(803) with 164155
164141	Presser Bar (swing-out) Lifting Screw Stud	165076	Tension complete, Nos. 51687(809), 58686, 59537, 164158, 164584, 165075 and two 2102 (an additional two 165076 are required for 165077)
164142	Presser Bar (swing-out) Opening Lever	165077	Tension (double) complete, Nos. 164628, two each 1700(809) and 165076
164143	Presser Bar (upright)	165103	Presser Foot Chaining-off Finger
164155	Tension Regulating Thumb Nut	165104	Presser Foot complete, Nos. 50225(809), 51306(805), 164263, 164920, 165072 and 165103
164158	Tension Disc Cover	165135	Feed Bar Slide Block (front)
164163	Thread (spreader) Take-up Eyelet (adjustable)	165136	Feed Lifting and Knife (movable) Eccentric
164165	Thread (spreader) Thread Eyelet (stationary)	165142	Spreader Carrier Connecting Link Adjusting Sleeve
164166	Thread (spreader) Tube	165145-002	Spreader Carrier Connecting Link Hinge Pin
164167	Thread (looper and spreader) Plate with 624(830)	165145-002	Spreader Carrier Hinge Pin
164168	Thread (looper and spreader) Plate Cover	165149	Machine Frame Bracket
164169	Thread (looper and spreader) Plate Cover Hinge	165150	Machine Frame Bracket 165149 with 164207 and two 187(805)
164170	Thread (looper and spreader) Plate Cover Hinge Pin	165151	Machine Frame Bracket Oil Screen
164171	Thread (looper and spreader) Plate Cover Spring	165152	Machine Frame Oil Screen
164173	Thread (looper and spreader) Plate Thread Bushing	165153	Machine Frame Oil Tube
164175	Thread (looper) Take-up (left)	165154	Machine Frame Oil Tube Wick
164176	Thread (looper) Take-up Plate	165156	Machine Frame Oil Splash Guard (internal) Oil Wick
164194	Pressure Regulating Thumb Screw	165157	Machine Frame Oil Splash Guard (internal) Oil Wick Fastener
164202	Looper Stop Pin	165159	Machine Frame Wearing Plate
164205	Cloth Plate Lock Spring	165160	Machine Frame Wearing Plate Spacer
164206	Thread (looper and spreader) Plate Cover 164168 with 164169 and 164170	165170	Machine Frame Rotary Shaft Bushing (front)
164207	Machine Frame Bracket Key	165171	Machine Frame Rotary Shaft Bushing (intermediate)
164215-001	Looper Driving Shaft Crank 164051 with 164052-001 (not illustrated)	165173	Oil Reservoir with 165232
164216-001	Spreader Driving Shaft Crank 164066 with 164052-001 (not illustrated)	165179	Feed (back) and (front) Bars complete, Nos. 164006, 164007, 164008, 164017, 164018, 164687, 165135, two each 1671(803) 164004 and 164009
164219	Spreader Position Collar with 904(830)	165182-002	Spreader Carrier Connecting Link Hinge Pin 165145-002 with 132584
164231	Machine Pulley with two 448(830)	165182-002	Spreader Carrier Hinge Pin 165145-002 with 132584
164232	Machine Frame Rotary Shaft Ball Sleeve Guide	165185	Machine Frame Oil Tube Nos. 165153 and 165154
164263	Presser Foot Clamping Plate	165232	Oil Reservoir Oil Sight Gauge (lucite)
164269	Knife (movable) Lever Hinge Stud Oil Wick (short) (not illustrated)	165237	Oil Reservoir Lint Guard (front)
164285	Tension (looper thread) Thread Guide (left)	165238	Machine Frame Rotary Shaft Ball Bearing Housing
164293	Looper Driving Shaft Bushing (back) Cap Screw Washer	165239	Machine Frame Rotary Shaft Ball Bearing Housing Gasket
164293	Spreader Driving Shaft Bushing (back) Cap Screw Washer	165240	Machine Frame Rotary Shaft Bushing (intermediate) Oil Screen
164351	Presser Bar (swing-out) Pivot Screw Locking Plate	165245	Needle Driving Shaft Crank Connection with 164115, two each 157(830) and 171(830)
164401	Feed Eccentric Cover Latch Spring	175032	Knife (stationary) and Needle Guard Holder Sleeve Screw Washer
164416	Presser Bar (upright) Spring	931084	Cloth Plate Extension Screw Nut Lock Washer
164418	Tension Thread Eyelet	931084	Cloth Plate Lock Spring Nut Lock Washer
164449	Thread (spreader) Thread Eyelet (movable)		
164458	Knife (movable) Guard (upper)		
164515-002	Machine Frame Cover (back)		
164516-002	Machine Frame Cover (back) 164515-002 with 1637(819) and 109898(803)		
164520	Feed Eccentric Cover		
164525	Knife (stationary) and Needle Guard Holder Spring Stud		
164550	Knife (movable)		
164555	Thread (spreader) Take-up Guide Wire		
164584	Tension (light) Spring.		
164590	Knife (stationary) and Needle Guard Holder Adjusting Stud		
164628	Tension Thread Guide (double)		
164629	Tension (needle thread) Thread Guide (double) Spacing Block		
164660	Looper Carrier Holder with 1083(803), 140393(830) and 140596(830)		
164661	Looper Carrier Holder 164660 with 1324(830), 59456 and 164046		
164687	Feed (back) Bar with 164010		
164704-002	Feed Eccentric Cover Bracket		

PARTS CHART
FOR
SINGER*
460/22
MACHINE

From the library of: Diamond Needle Corp